

190-832-190 40" Snow Thrower Attachment (1994)
Front/Rear Supports

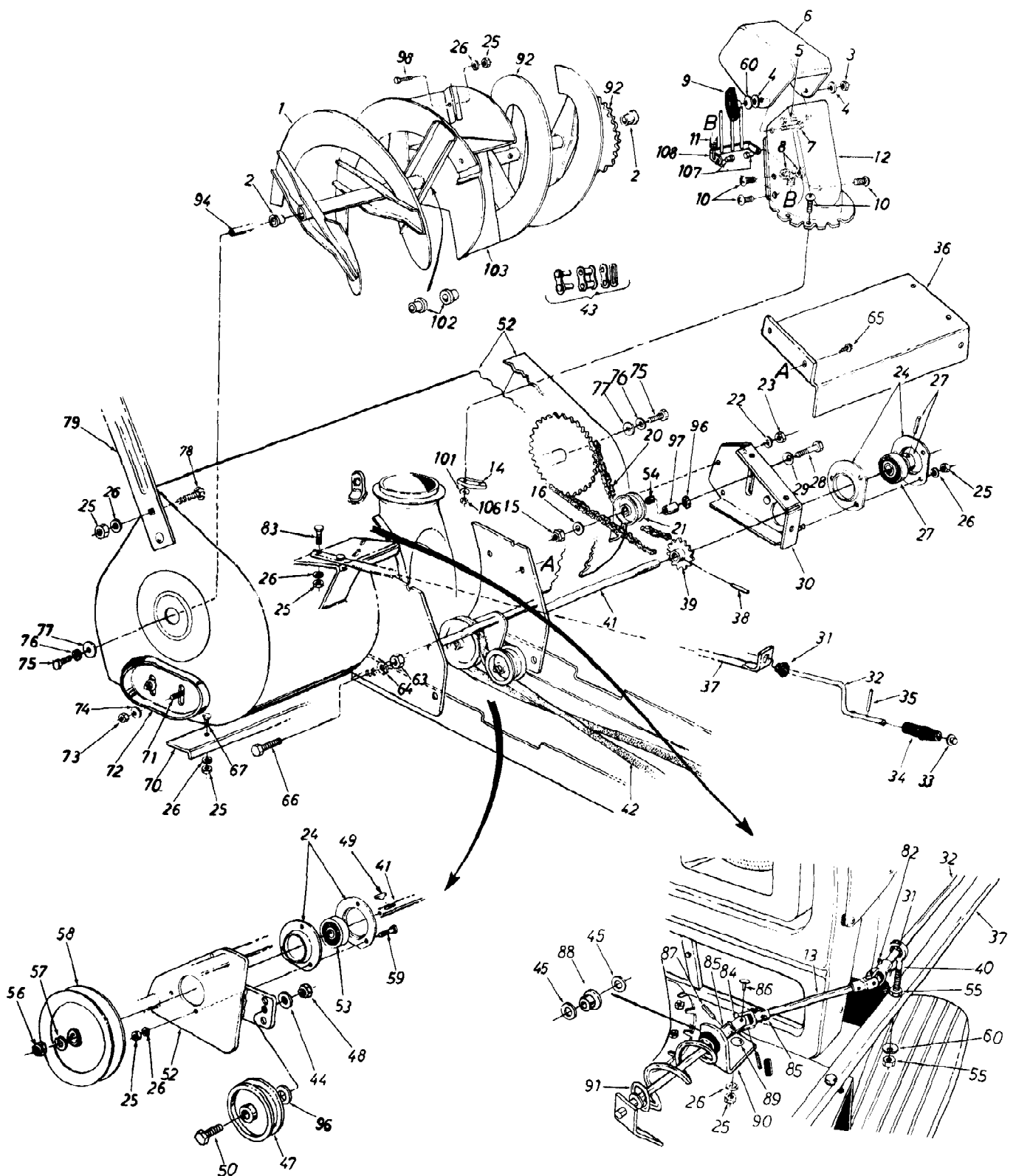
Ref #	Part Number	Qty	S/P/F	Description
1	784-5091B	1		Guide Bracket
2	732-0233	1	S	Helper Spring
3	711-0332	1	S	Clevis Pin
4	736-0169	1	S/F	L-Wash. 3/8" I.D.
5	712-0241	1	/P	Hex L-Nut 3/8-24 Thd.
6	05714	1		Attaching Plate
7	736-0921	1	S/F	L-Wash. 1/2" I.D.
8	712-0239	1	S	Hex L-Nut 1/2-20 Thd.
9	05719B	1		Front Support Channel
10	710-0771	1	/P/F	Hex Bolt 3/8-16 x 3.75" Lg.
11	710-0504	1	F	Hex Bolt 1/2-20 x 1.25" Lg.
13	712-0342	1	/P	Hex Jam Nut 3/8-16 Thd.
14	741-0919	2	S	Ball Bearing
15	736-0119	1	S/F	L-Wash. 5/16" I.D.
16	712-0267	1	S/F	Hex Nut 5/16-18 Thd.
17	738-0246	1		Spindle
18	754-0294	1	S	"V"-Belt
19	736-0158	1	S/F	L-Wash. 5/8" I.D.
20	712-0242	1	S	Hex Jam Nut 5/8-11 Thd.
21	710-0152	1	S/F	Hex Bolt 3/8-24 x 1.00" Lg.
22	736-0192	1	S	Flat Washer
23	714-0101	1	S	Internal Cotter Pin
24	05718	1		Rear Support Angle - R.H.
25	738-0163	1		Shld. Bolt .623" Dia.
26	05716	1	S	Rear Hanger Brkt.
28	736-0171	1	S	L-Wash. 7/16" I.D.
29	712-0275	1	S	Hex Nut 7/16-14 Thd.
30	05717	1	S	Rear Hanger Brkt. - L.H.
31	05717	1	S	Rear Support Angle - L.H.
32	756-0457	1		Lower Drive Pulley 5/8 x 5.56
33	714-0388	1	S	#6 Hi-Pro Key 3/16 x 5/8" Dia.
34	08253B	1	/P	Bearing Housing
35	05713B	1	/P	Supporting Bracket
37	710-0322	1	S/F	Hex Sems Bolt 5/16-18 x 1"
38	736-0258	1	/P	FI-Wash. .38" I.D. x 1" O.D.
39	748-0193	1	S	Spacer .38" I.D. x .62" O.D.
40	756-0405	1	/P	FI-Idler Pulley
41	756-0216	1		Upper Drive Pulley
44	754-0206	1	S	"V"-Belt
51	13778	1		Reinforcement Plate
52	750-0511	1		Spacer .37" I.D. x 1.50" Lg.
53	732-0470A	1	S	Extension Spring 4.75" Lg.
54	712-0266	1	S	Hex L-Nut 3/8-16 Thd.
56	703-1292	1	S	Idle Arm Ass'y.
57	756-0417	1	S	Idler Pulley
58	710-0756	1	F	Hex Bolt 3/8-16 x 2.25" Lg.
60	750-0252	1	S	Spacer .377" I.D. x .83" Lg.
61	748-0193	1	S	Spacer .38" I.D. x .565" Lg.
62	738-0143	1	/P	Shoulder Bolt .498" Dia.
63	712-0375	1	/P	Hex L-Nut 3/8-16 Thd.
64	710-0698	1	/P	Hex Bolt 1/4-28 x 1.50" Lg.
65	736-0329	1	S/F	L-Wash. 1/4" I.D.
66	712-0138	1		Hex Bolt 1/4-28 x 1.50" Lg.

190-832-190 40" Snow Thrower Attachment (1994)
Front/Rear Supports

Page 3 of 6

Ref #	Part Number	Qty	S/P/F	Description
67	750-0757	1	S	Spacer .63" I.D. x 1.75" Lg.
68	710-0427	1	S/F	Hex Bolt 3/8-16 x 2" Lg.

190-832-190 40" Snow Thrower Attachment (1994)
Tine Assembly



Ref #	Part Number	Qty	S/P/F	Description
1	784-5221	1	S	Spiral Ass'y. (L.H.)
2	741-0227	1		Flange Bearing
3	712-0158	1	S	Hex L-Nut 5/16-18 Thd.
4	736-0231	1	S	FI-Wash. .344" I.D.
5	710-0323	1	/P	Truss Mach. Scr. 5/16-18 x .75" Lg.
6	731-0846B	1	S	Upper Chute
7	710-0276	1	/P/F	Carriage Bolt 5/16-18 x 1.0" Lg.
8	712-0291	1	S	Hex L-Nut 1/4-20 Thd.
9	09966	1	S	Hand Knob
10	710-0255	1	S	Truss Mach. Scr. 1/4-20 x .75" Lg.
11	732-0118	1	S	Ext. Spring
12	731-0843B	1	S	Lower Chute
13	747-0523A	1		Chute Crank Extension Rod
14	731-0851	1	S	Chute Flange Keeper
15	712-0375	1	/P	L-Nut 3/8-16 Thd.
16	736-0300	1	S	FI-Wash.
20	713-0189	1		#420 Chain 1/2" Pitch x 77 Links
21	756-0358A	1		Plastic Idler 2" O.D.
22	736-0329	1	S/F	L-Wash. 1/4" I.D.
23	712-0287	1	S/F	Hex Nut 1/4-20 Thd.
24	741-0311	1	S	Bearing Housing
25	712-0267	1	S/F	Hex Nut 5/16-18 Thd.
26	736-0119	1	S/F	L-Wash. 5/16" I.D.
27	741-0310	1	S	Self-Aligning Bearing
28	710-0347	1	/P/F	Hex Bolt 3/8-16 x 1.75" Lg.
29	736-0105	1	/P	Belleville Wash. 3/8" I.D.
30	05721A	1		Chain Guard Ass'y.
31	741-0475	1	S	Nylon Bushing
32	747-0438	1	S	Chute Crank .375" Dia. x 34.5" Lg.
33	726-0100	1	S	Push Nut 3/8" Rod
34	720-0201A	1	/P	Knob (Black)
35	715-0138	1	S	Roll Pin
36	784-5092A	1		Drive Shaft Cover
37	749-0675	1		Crank Support Tubing
38	715-0118	1	S	Spring Pin Spiral 5/16" Dia. x 1.75" Lg.
39	713-0188	1		14 Teeth Sprocket Ass'y.
40	747-0481A	1	/P	Eyebolt 5/16-18 x 3.0" Lg.
41	784-5078	1	S	Drive Shaft
42	754-0294	1	S	"V"-Belt
43	713-0154	1	S	Master Link for #420 Chain
44	736-0169	1	S/F	L-Wash. 3/8" I.D.
45	736-0140	1	S	FI-Wash. .385" I.D. x .62" O.D.
47	756-0417	1	S	FI-Idler with Flanges
48	712-0342	1	/P	Hex Jam L-Nut 3/8-16 Thd.
49	714-0388	1	S	#61 Hi-Pro Key 3/16 x 5/8 Dia.
50	710-0347	1	/P/F	Hex Bolt 3/8-16 x 1.75" Lg.
52	784-5081A	1		Spiral Housing Ass'y.
53	741-0309	1	S	Self-Aligning Bearing
54	741-0322	1		Sleeve Bearing .50" I.D.
55	712-0267	1	S/F	Hex Nut 5/16-18 Thd.
56	712-0301	1	/P	Hex Nut 3/4-10 Thd.
57	736-0367	1	S	L-Wash. 3/4" I.D.
58	756-0456	1		FI-Wash. 1" I.D. x 6" O.D.

190-832-190 40" Snow Thrower Attachment (1994)
Tine Assembly

Page 6 of 6

Ref #	Part Number	Qty	S/P/F	Description
59	710-0198	1	S/F	Hex Sems Bolt 5/16-18 x .75" Lg
60	736-0242	1	/P	Bell-Wash. .345" I.D. x .88" O.D.
63	712-0239	1	S/F	Hex L-Nut 1/2-20 Thd.
64	736-0921	1	S/F	L-Wash. 1/2" I.D.
65	710-0599	1	/P	Hex Self-Tap Scr. 1/4-20 x .5" Lg.
66	710-0504	1	F	Hex Bolt 1/2-20 x 1.25" Lg.
67	710-0451	1	/P/F	Carriage Bolt 5/16-18 x .75"
70	05723	1		Shave Plate
71	710-0389	1	/P/F	Carriage Bolt 3/8-16 x .75" Lg.
72	784-5038A	1	S	Skid Shoe
73	712-0342	1	/P	Hex Jam Nut 3/8-16 Thd.
74	736-0105	1	/P	Belleville Wash. 3/8" I.D.
75	710-0474	1	/P/F	Hex Bolt 1/2-13 x 1.25" Lg.
76	736-0253	1	S	Belleville Wash. 1/2" I.D.
77	736-0179	1	S	FI-Wash.
78	710-0260	1	S/F	Carriage Bolt 5/16-19 x .62" Lg.
79	05139A	1	S	Drift Cutter
82	714-0111	1	S	Cotter Pin
83	710-0442	1	S/F	Hex Bolt 5/16-18 x 1.5" Lg.
84	711-0584	1		Joint Block
85	05066	1		Joint Bracket Ass'y.
86	728-0147	1		Oval Head Rivet
87	715-0129	1	F	Spring Pin Roll 1/8" Dia. x .75" Lg.
88	741-0475	1	S	Nylon Bushing
89	710-0451	1	/P	Carriage Bolt 5/16-18 x .75" Lg.
90	784-5085A	1	/P	Chute Crank Bracket
91	784-5084A	1	S	Chute Crank Ass'y.
92	784-5222	1	S	Spiral Ass'y. (R.H.)
94	05737	1		Spiral Axle
96	736-0247	1	/P	Flat Washer
97	750-0252	1	S	Idler Spacer
98	710-0451	1	/P	Carriage Bolt 5/16-18 x .75" Lg.
101	736-0142	1	S	FI-Wash. 1/4" I.D.
102	741-0227	1		Plastic Bushing
103	784-5216	1	S	Rotor Paddle Ass'y.
106	712-0107	1	S	Hex L-Nut 1/4-20 Thd.
107	738-0561	1	S	Shld. Nut 1/4-20 Thd.
108	784-5192	1	S	Chute Guard Ass'y.